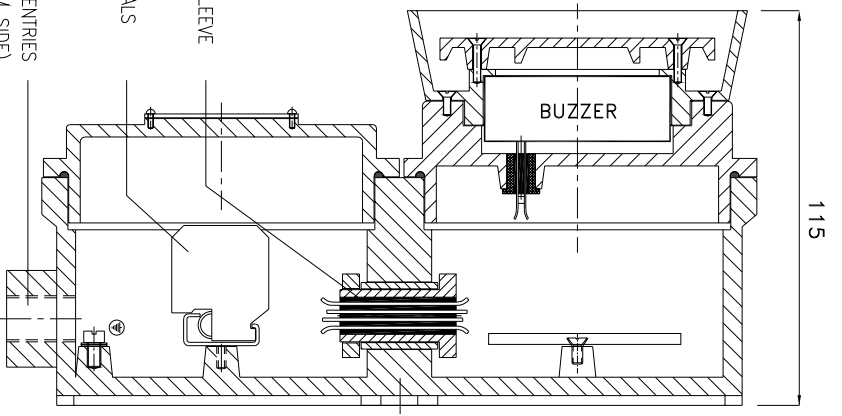


FRONT VIEW



SIDE VIEW

- Reference IS/IEC Standard as follows :
- 1 - FLAMEPROOF (Ex d) PROTECTION - IIA/IIb & IIC, IS/IEC 60079-1 (2014)
 - TEMPERATURE CLASS - T6
 - 2 - INGRESS (IP) PROTECTION - IP-66, IS/IEC 60529 (2001). (Reaffirmed 2014)

Standard Specification :

- 1 - MATERIAL - CAST ALUMINIUM ALLOY
- 2 - FINISH - INSIDE & OUTSIDE LIGHT GREY EPOXY POWDER COATING SHADE No. 631 AS PER IS-5
- 3 - EARTHING - 1 No. INSIDE & 2 Nos. OUTSIDE M6 SIZE S.S./BRASS SCREWS WITH 2 Nos. PLAIN WASHER
- 4 - HARDWARE - STAINLESS STEEL
- 5 - GASKET - 'O' RING NEOPRENE RUBBER GASKET
- 6 - MOUNTING ARRGT. - AS SHOWN IN DRG.

Material / Components Specification :

- 1 - S.S. NAME CUM WARNING PLATE (WITH DESCRIPTION TITLE, CIMFR, PESO, SR. NO., GAS GROUP, RATING, BIS MARKING, WARNING STATUS, etc...)
- 2 - SOUND LEVEL - APPROX. 90-100 DB MEASURED AT A DISTANCE OF 1 METER (WITH SINGLE/DUAL TONE CIRCUIT)
- 3 - HORN - MATERIAL OF CONSTRUCTION LM6 (AS SHOWN IN DRAWING)
- 4 - TERMINALS - 4 Nos. 2.5sq. mm CLIP-ON TYPE TERMINALS OF 'ELIMEX/CONNECTWELL' MAKE
- 5 - CABLE ENTRIES - 2 Nos. M20 / 1/2" NPT / 3/4" ET EQUIVALENT CABLE ENTRIES FROM BOTTOM SIDE - REFER DRAWING
- 6 - CABLE GLAND - (Ex d) DOUBLE COMPRESSION TYPE CABLE GLAND OF 'SUDHIR' MAKE
- 7 - STOPPING PLUG - (Ex d) STOPPING PLUG OF 'SUDHIR' MAKE

- Fitting OPTIONS :**
- 1) MATERIAL CONSTRUCTION : STAINLESS STEEL
 - 2) VOLTAGE : 110V / 230V / 415V AC
 - 3) CABLE GLAND & PLUG : BRASS/S.S./ALUMINIUM
 - 4) PAINT SHADE : 632/356/7031/7032, etc... (As per Standard)
 - 5) AMP. RATING : UP TO 10 Amp. (MAX.)

NOTE :
 COMPONENT LAYOUT IS TENTATIVE RELOCATION OF PARTS & COMPONENTS IS POSSIBLE AT THE TIME OF ACTUAL MANUFACTURING.
 OVERALL DIMENSIONS ARE ±10mm

REV.	DATE	DESCRIPTION	DRN.	CHD.	APPD.	SCALE	CR. No.	CIMFR CERT. No.	PESO No. :	BIS LICENCE No. :	
							HTR/2C/2021				
							HTR/2021-10				
<p>SUDHIR SWITCHGEARS PVT. LTD. 130, MALIBU SAMACHER MARG, MALIBU - 400 023</p> <p>TITLE : FLAMEPROOF - WEATHERPROOF ENCLOSURE FOR ELECTRIC HOOTER</p>							IN/CIMFR/TR22/R/H03	Dt. 01/04/2022	P537979/1	Dt. 02/06/2022	CM/L-0003331365